



光ファイバーケーブル パッチコード
仕様書

TECHNICAL SPECIFICATIONS

OPTICAL FIBER
PATCH CORD ASSEMBLY

Approved by: _____

Date: _____

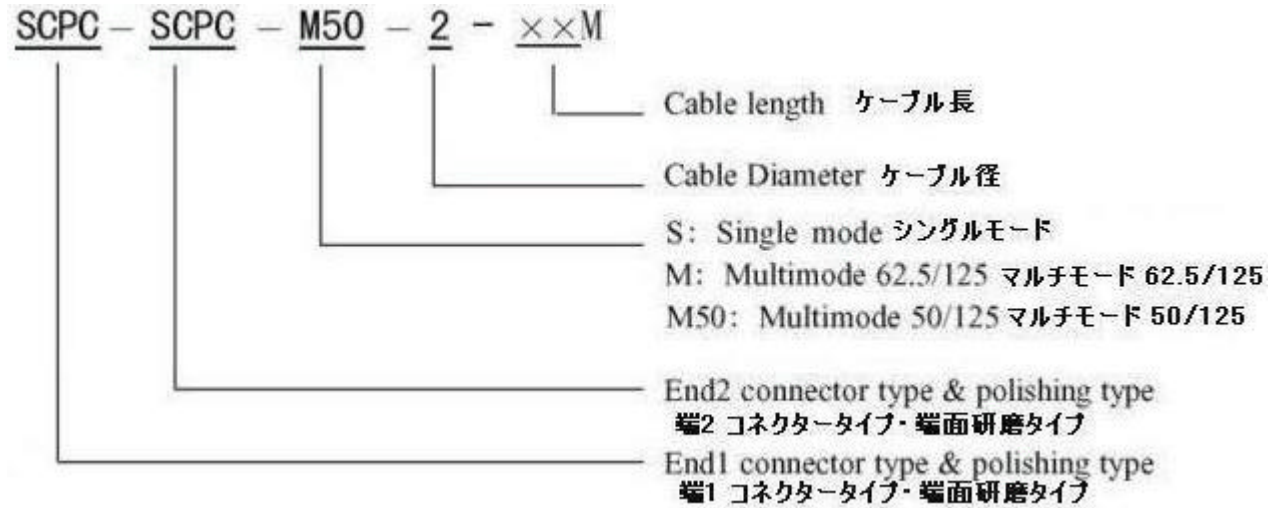
A handwritten signature in black ink, appearing to read 'Jin'.

ZT INTERNATIONAL LTD.

DEC. 13, 2006

ZT INTERNATIONAL LTD	Mode	<i>SCPC-SCPC-M50-2-2M</i>
	Issue Date	2006-12-12
Patchcord / Assembly Specification	Edition	V0

Manufacturer Model Information: (型番)



Product model: (型番) SCPC-SCPC-M50-2-2M

Explanation: Simplex core Multi-mode(50/125) cable connector, End1 represents a SC/PC plug,
内容 End2 represents a SC/PC plug, cable diameter is f 2mm, and cable length is 2meters.
1心、マルチモード(50/125)ケーブルコネクタ、端1 SC/PC プラグ
端2 SC/PC プラグ、ケーブル径 2mm、ケーブル長 2m

Product Figuration (図面)

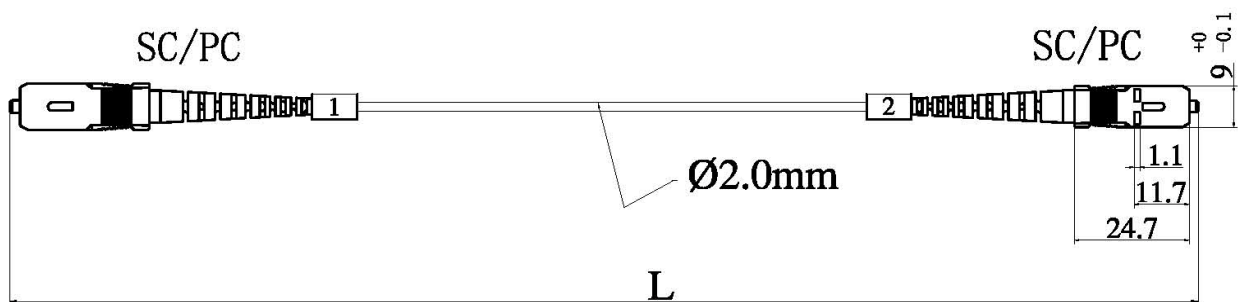


Figure 1 Cable Module 図1 ケーブルモジュール

The branch mark of two ends: use number to represent One ends marked as: 1, the other ends marked as: 2. (両端マーキング :1 - - - -2)

ZT INTERNATIONAL LTD	Mode	<i>SCPC-SCPC-M50-2-2M</i>
	Issue Date	2006-12-12
Patchcord / Assembly Specification	Edition	V0

1. Fiber Connector Performance Index

Table1 Multi mode fiber connector performance index

表1 マルチモードファイバーコネクタ性能

Item 項目	SC
Insertion loss (挿入損失)	0.30dB
Return loss (反射減衰量)	35dB
Working temperature (動作温度)	-25 ~ +75
Storaging temperature (保存温度)	-40 ~ +85
Endurance (耐久性)	500times
Standard (準拠規格)	IEC61754/ GR326/ YD1258.2

2. Fiber Technology Performance (ファイバー技術性能)

Table2 Multi mode fiber dimension index

表2 マルチモードファイバー仕様

Item	Technology index
Core diameter, μ m (コア径)	50 ± 3
Cladding diameter, μ m (クラッド径)	125.0 ± 2
Core non-circularity, % (コア非円率)	6
core/cladding concentricity error, μ m (コア/クラッド偏心率)	3
Cladding non-circularity, % (クラッド非円率)	2
Coating diameter, μ m (コーティング径)	245 ± 10
cladding/coating concentricity error, μ m (コーティング/クラッド偏心率)	6
Numerical aperture (開口数 (N.A.))	0.200 ± 0.015
Standard (規格)	IEC60793 /GR20

ZT INTERNATIONAL LTD	Mode	<i>SCPC-SCPC-M50-2-2M</i>
	Issue Date	2006-12-12
Patchcord / Assembly Specification	Edition	V0

3. Cable Technology Requirements

a. Cable configuration illustration (ケーブル形状)



Figure 2 Cable section

b. Optical cable performance (光ケーブル特性)

Mechanism performance complying standard: IEC60794-1/GB/T7424.2/YD/T1258.2

構造的特性、IEC60794-1/GB/T7424.2/YD/T1258.2 準拠

Anti-fire performance complying standard: OFNR

難燃性特性、OFNR 準拠

4. Outer Jacket mechanism performance (外被特性)

Complying standard: YD/T1258.2

YD/T1258.2 準拠

